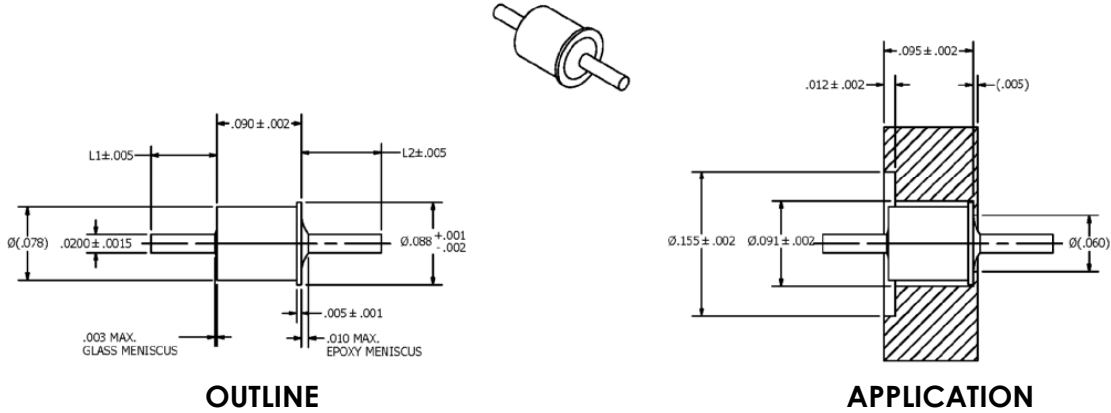




39 Souhegan Street - P.O. Box 269, Wilton, New Hampshire 03086  
 TEL (603) 654-2002 FAX (603) 654-2533  
 email: sales@shp-seals.com - website: www.shp-seals.com

ISO 9001:2015 Certified

**HERMETIC CAPACITORS  
8820 Series**



**ALUMINUM COMPATIBLE**

Designed to MIL-F-15733, this small size EMI feedthru capacitor is a recommended alternative to the 74 series capacitor where pin spacing and other clearances allow. Installation is easier and performance is equally robust. These aluminum compatible devices are mountable on .145 inch centers or greater. Available in capacitance values up to 10,000 pF GMV (+100% / -0).

SPECIFICATIONS	
Voltage Rating	50 VDC (higher available)
Current Rating	3 Amps Max
Insulation Resistance	Greater than 1.5 G Ω @ 25°C
Dissipation Factor	Less than 3% (except 10K pF less than 4%)
Max. Temp. <sup>(4)</sup> / Min. Temp. <sup>(5)</sup> / Operating Range	250°C / -65°C / -55°C to +125°C
Leak Rate	Less than 1 X 10 <sup>-8</sup> cc/sec @ 1 atm (He)

PART NO.						MATERIAL		
CAPACITANCE VALUE (1)	SERIES	PIN DIA.	L1 ±.005 (3)	L2 ±.005 (3)	PLATING CODE (2)	GLASS	FERRULE	PIN
Cxxx	8820	.020	xxx	xxx	02	9013	Steel	Steel

Example Part No: C502-8820-125-075-02

- NOTES: (1) Specify capacitance value. Enter first two digits of value then the number of zeros that follow.  
 Example: C502 equals 5,000pF.  
 (2) Standard plating is 50 microinches minimum GOLD per MIL-G-45204, Type III, Grade A over 200-400 microinches NICKEL per MIL-C-26074. Plating thickness is measured on pin.  
 (3) Standard pin termination is straight-cut. Radius pins available for connector mating.  
 (4) Short term process temperature.  
 (5) Storage temperature.  
 (6) See Bulletin 200 for solder preforms.

All dimensions are inches.